

# EPOXY RESIN HANDBOOK



INNOVATION STARTS HERE





<b>INTRODUCTION.....</b>	<b>1</b>
<b>GENERAL PRACTICES.....</b>	<b>3</b>
<b>I. Drawing Requirements .....</b>	<b>3</b>
<b>II. Colors .....</b>	<b>4</b>
<b>III. Edges .....</b>	<b>5</b>
<b>IV. Surfaces.....</b>	<b>6</b>
<b>V. Thickness .....</b>	<b>9</b>
<b>VI. Joints .....</b>	<b>9</b>
<b>VII. Cutouts .....</b>	<b>10</b>
<b>VIII. Curbs (Backsplashes).....</b>	<b>11</b>
<b>IX. Service Chases (Box Curbs) .....</b>	<b>15</b>
<b>X. Islands/Peninsulas .....</b>	<b>15</b>
<b>XI. Shelving/Pegboards .....</b>	<b>18</b>
<b>XII. Fume Hood Bases (Worksurfaces).....</b>	<b>18</b>
<b>XIII. Sinks .....</b>	<b>19</b>
<b>XIV. Cupsinks .....</b>	<b>22</b>
<b>XV. Troughs .....</b>	<b>23</b>
<b>XVI. Sink Units (Worksurfaces) .....</b>	<b>23</b>
<b>XVII. Installation .....</b>	<b>25</b>
<b>XVIII. Specification .....</b>	<b>26</b>
<b>XIX. Reference Information .....</b>	<b>33</b>
<b>XX. Contact Information .....</b>	<b>36</b>
<b>XXI. Glossary .....</b>	<b>36</b>
<b>XXII. Notes: .....</b>	<b>39</b>

™ Contoura, ContouraTop and ControlTop are trademarks of Laboratory Tops, Inc.

® Laboratory Tops, Inc., LabTops, ClassicTop, SolTra, DropIn and ADA DropIn are registered trademarks of Laboratory Tops, Inc.





## INTRODUCTION

### LABORATORY COUNTERTOP SELECTION

*As appeared in Nov. 01 Issue of R&D Magazine*

The laboratory worksurface is by far the single most visible and interacted with component of any laboratory. Since the late 1980's, when epoxy resin replaced cement asbestos as the industry standard for lab worksurfaces, manufacturers have strived to refine countertop designs to perform beyond the chemical, heat and load bearing requirements of the research lab. It is now possible to select between modular designs, colors and many additional safety and aesthetic options to individually tailor each laboratory's efficiency, accuracy, comfort and precision for various applications.

#### ***Designing for Precision/Reconfiguration***

Typically, new laboratory worksurfaces are required for *new facilities, the reconfiguration of existing space or for a complete retrofit*. Workspaces designed with a degree of flexibility are recommended due to R&D labs' project specific nature (the useful life of an R&D lab is on average very short and may require alterations as often as every three to five years). Long-term savings can be achieved by forecasting future requirements and specifying appropriate countertops (and supporting cabinetry) in the initial construction of the facility.

#### ***Worksurface Evaluation Criteria***

The lab owner in conjunction with the architect, the lab manager and in some cases the lab user should specify the type (or types) of worksurfaces required in the initial design phase of a lab project. Worksurface evaluations should be based upon individual lab requirements for:

- Resistance to the chemicals to be used
- Heat resistance
- Liquid absorption
- Load bearing capabilities
- Impact and abrasion resistance
- Electrical conductivity
- Liquid containment and liquid disposal (especially in sink areas and fume hoods)
- Ease of maintenance
- Ergonomics
- Availability
- ADA compliance
- Color
- Overall appearance
- Special requirements (i.e., irregular shapes, minimal joints, etc.)

Each lab design project will have unique worksurface requirements; however, depending upon laboratory classification, some general guidelines can be supposed:



- Chemistry Use Area (i.e., Organic, Inorganic, Bio-chemical, Analytical) – consideration should be given to chemical resistance, ease of cleaning, color suitability, strength, abrasion resistance and thermal shock resistance.
- Physics Use Area – consideration should be given to physical strength, abrasion resistance, impact resistance and heat resistance.
- Biology Use Area – consideration should be given to stain resistance, ease of cleaning, abrasion resistance plus bacteria and fungus resistance.
- Special Purpose Use Areas Where Chemical Resistance is a Prime Consideration (i.e., pathology/hematology and other special biochemical areas) – consideration should be given to impermeability and ease of cleaning.
- Special Purpose Use Areas Where Chemical Resistance is Not a Prime Consideration:
  - **Electronics** – consideration should be given to physical strength and other task specific characteristics.
  - **Electrical** – consideration should be given to insulation characteristics, dielectric strength and physical strength.
  - **Mechanical** – (i.e., metallurgical, geological, etc.) – consideration should be given to resistance to physical abuse.
  - **Radioactive** – consideration should be given to contamination by radioactive material.
  - **Thermal** – consideration should be given to temperature requirements.\*

Certainly other classifications exist and practical combinations of the above laboratory types are numerous. For safety, evaluate worksurface needs based upon the usage in the hardest impacted areas of the lab. Typically fume hoods and sink areas see the majority of harsh chemicals and reactions.

### ***The Selection Process***

Once the worksurface requirements have been specified, various materials and styles can be evaluated for compliance. The three most popular work surfaces used today are epoxy resin, plastic laminate and phenolic resins. To facilitate the selection process, many worksurface manufacturers perform and publish the results of physical properties tests as well as chemical resistance tests that evaluate worksurface resistance to the chemicals commonly used in lab environments as well as standard measurements for hardness, flammability and deflection. These tests are provided as guidelines. Carefully evaluate results between various material types and between individual material manufacturers as occasionally results are impacted due to dissimilar testing methods.

A variety of resources are available to help identify and evaluate worksurface materials and manufacturers. SEFA (Scientific Equipment and Furniture Association) is a non-profit organization dedicated to the enhancement of member company performance and the improvement of the quality and timely completion of laboratory facilities. The SEFA web site, [www.sefa.cc](http://www.sefa.cc), provides a wealth of lab design information and links to member's web pages as well as government regulating agencies.

*\*Laboratory types and requirements have been adapted with permission from "SEFA's Recommended Practices." SEFA 3 – 1996.*

*Co-written by Hank Von Der Bruegge and John Powell*



## GENERAL PRACTICES

### I. Drawing Requirements

#### A. Complete drawing set required. Include:

Title Sheet

Fixture List/Information Sheet

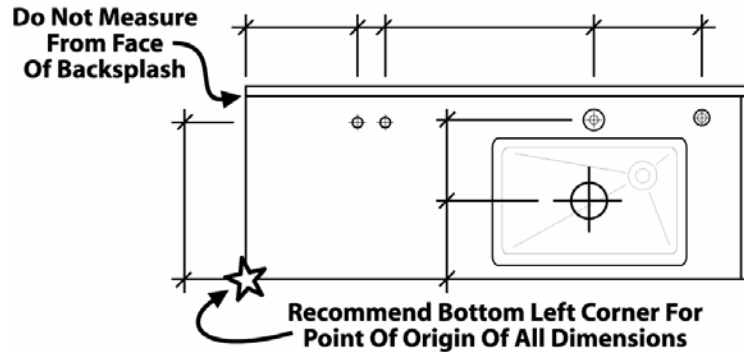
Floor Plans

Elevation Details

Top Details

Detail Sheets

Cut sheet submittal package with cutout requirements (service fixtures, sinks, grommets, etc.)



- B. Specify worksurface dimensions from the edges and not from any other surface such as the backsplash. Durcon's point of origin for all drawings is the lower left hand corner of a piece or assembly.
- C. Ensure that top lengths and cutout locations match elevations (if discrepancies are detected, worksurface drawings supercede all others).
- D. On large projects try to standardize the sizes of multiples of any type of unit (this allows us the option to mold instead of glue to reduce cost and provide a better product).
- E. Detail the drawing to make clear top material of each piece:
- e = epoxy
  - pl = plastic laminate
  - ss = stainless steel
  - p = phenolic
- F. Specify piece size and weight limitations.
- Separate worksurface pieces can be molded up to 96" x 72"
  - Epoxy resin tops 1" thick weigh approximately 11 lbs per sq. ft.



- G. Epoxy tops must be adequately supported throughout worksurface runs (cabinets, cleats, stringers, aprons, etc. can all provide support).
- H. Special cutouts such as stainless steel sinks, grommets and vandal resistant fixtures require a cut sheet (templates will not be accepted).
- I. Minimize double facing on pegboards and shelves. We do not double face shelves that are less than 18" above the worksurface.
- J. Reagent shelves should not be drawn over tops. Separate drawings eliminate confusion.
- K. Specify pallet size limitations if necessary.
- L. Indicate on each elevation if tops are being installed prior to struts or uprights.

#### Colors

- M. Specify colors clearly (example: Platinum Gray or Pearl) specifying "gray" can cause confusion.

- N. Standard colors include:

Black Onyx

Gray

Graphite

Forest Green

Tan

Steel Blue

White

- O. Custom Colors

Custom colors may be requested (availability based upon ability to match custom color and job size).

A color chip must be submitted to Durcon when requesting a custom color

Allow a minimum of six weeks for shipment *after* customer approval of Durcon's epoxy resin custom color sample.

- P. Color Pricing

Black Onyx - base price

Gray

Graphite, Forest Green, Tan, Steel Blue

White

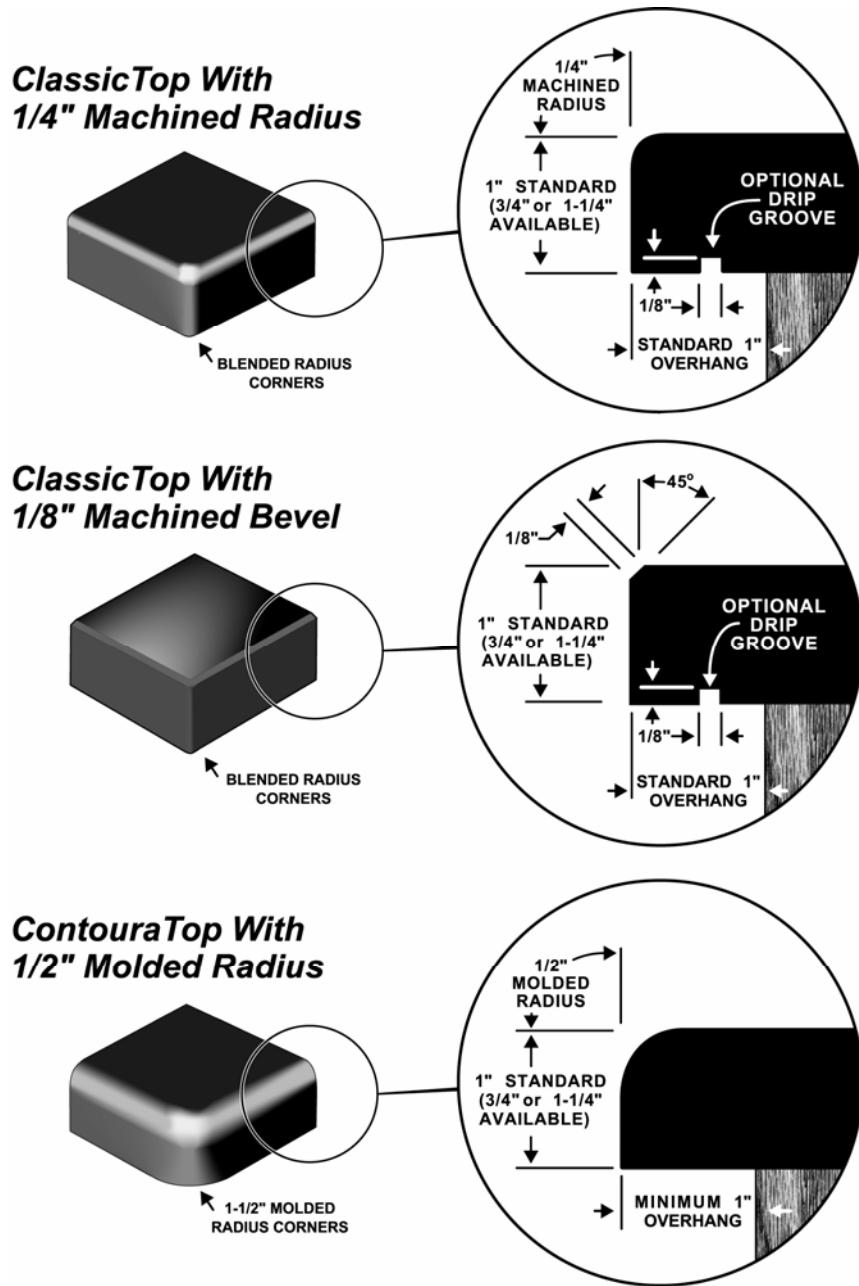
Custom Colors are available based on feasibility.





Edges

Q. Available edges:



R. Supply edge finishing requirements for each piece including:

RAD = 1/4" Machined Radius

BEV = 1/8" Machined Bevel

CONT = 1/2" Molded Radius

U = Unfinished



- S. Specify ClassicTop corner details (ContouraTop corners are molded).
  - A blended radius corner is standard unless otherwise specified.
  - Larger blended radius corners can be specified. An up-charge will apply.
- T. Specify edges to receive drip grooves (note: drip grooves are not standard on Contoura and Contoura ControlTops).
- U. Standard overhang for Classic worksurfaces is 1" from face of cabinet body. Contoura worksurfaces must maintain a 1" overhang (minimum) on all sides to clear casework corners.

Surfaces

- V. Select between:

Flat - Maximum worksurface space with the greatest configurational flexibility.

*ClassicTop* - 1/8" machined bevel or 1/4" machined radius edge

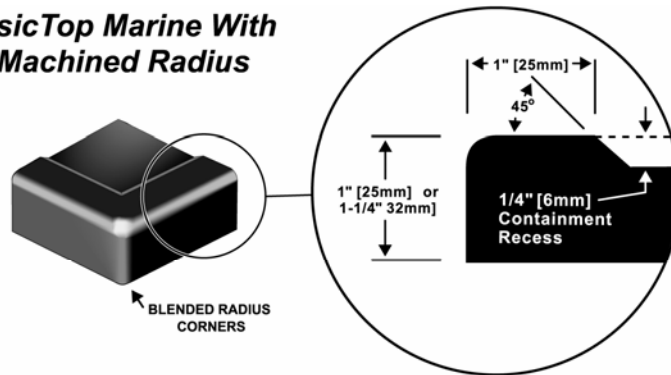
*Contoura* - Integrally molded 1/2" top edge radius and 1-1/2" exposed corner radius (not suitable for every application).

Must maintain a 1" overhang on all sides to clear casework corners.

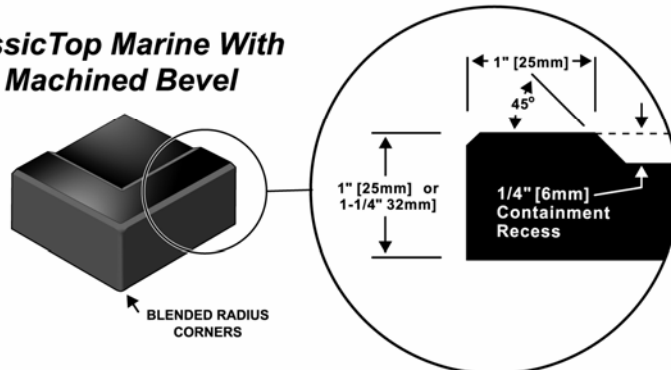
Marine - Worksurface with a 1/4" raised liquid containment rim (eliminating the need for drip grooves).

*ClassicTop Marine* – Dished worksurfaces with a 1/8" machined bevel or a 1/4" machined radius are available.

***ClassicTop Marine With  
1/4" Machined Radius***

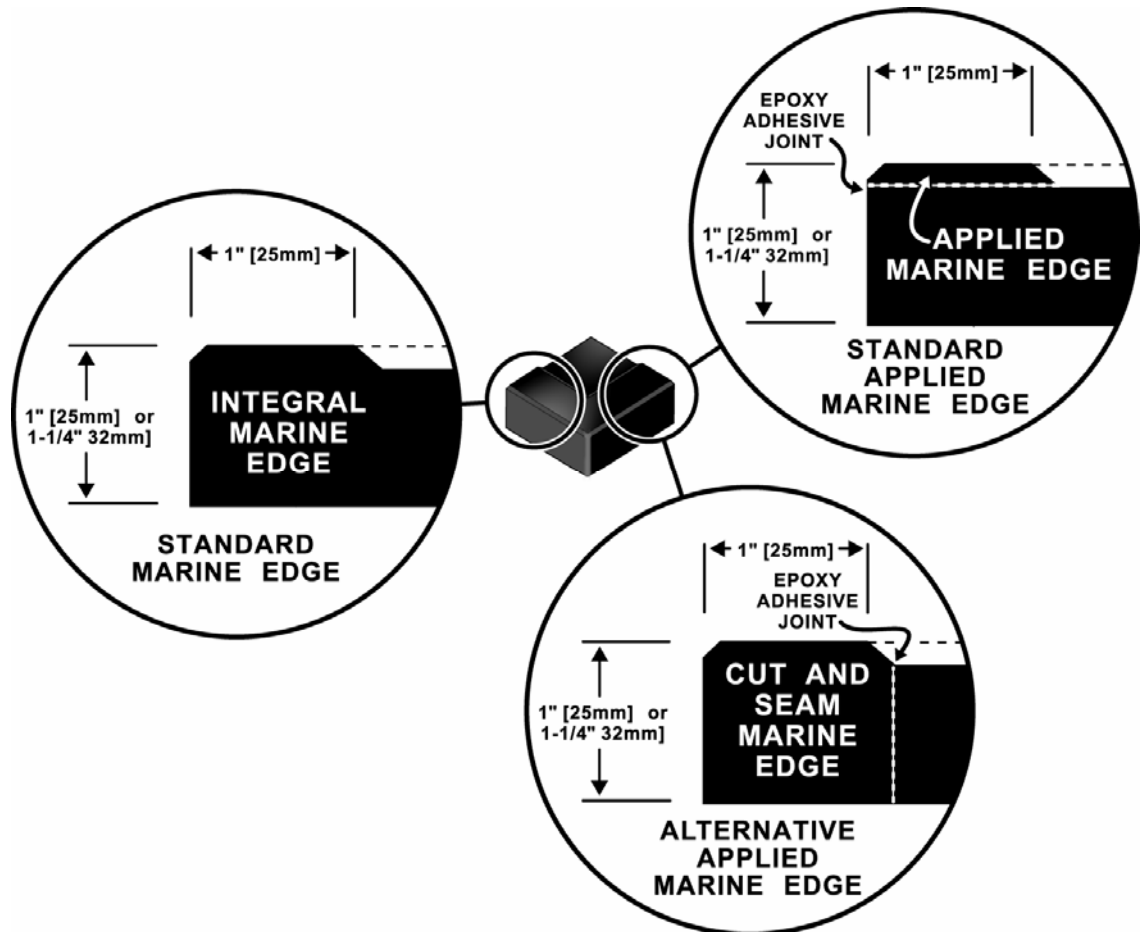


***ClassicTop Marine With  
1/8" Machined Bevel***





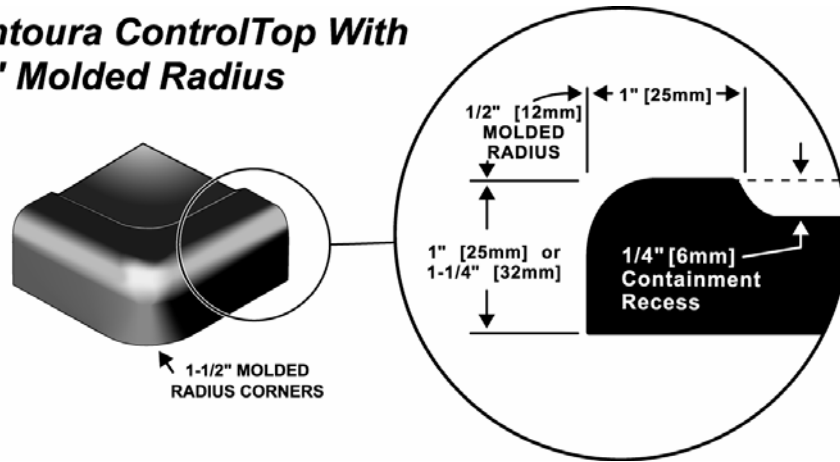
- i. Integrally molded ClassicTop Marine edges shall be used unless configuration precludes the use of standard molds (please contact Durcon for recommended marine worksurface sizes as a substantial savings can be obtained by utilizing existing molds [or if it is a specification requirement]).
  - a) Where molding is not an option, the method of marine edge application is determined by Durcon to ensure maximum slab utilization (see below).
  - b) Standardization of sizes of marine edge tops allows for the option of molding instead of gluing resulting in reduced costs and a better product.
- ii. Applied ClassicTop Marine edges are 1/4" thick Durcon Epoxy Resin containment strips glued to the top edge with an epoxy adhesive.
- iii. Cut and seam ClassicTop Marine edges are integrally molded marine worksurface sections applied to the side of the worksurface with a factory butt joint.





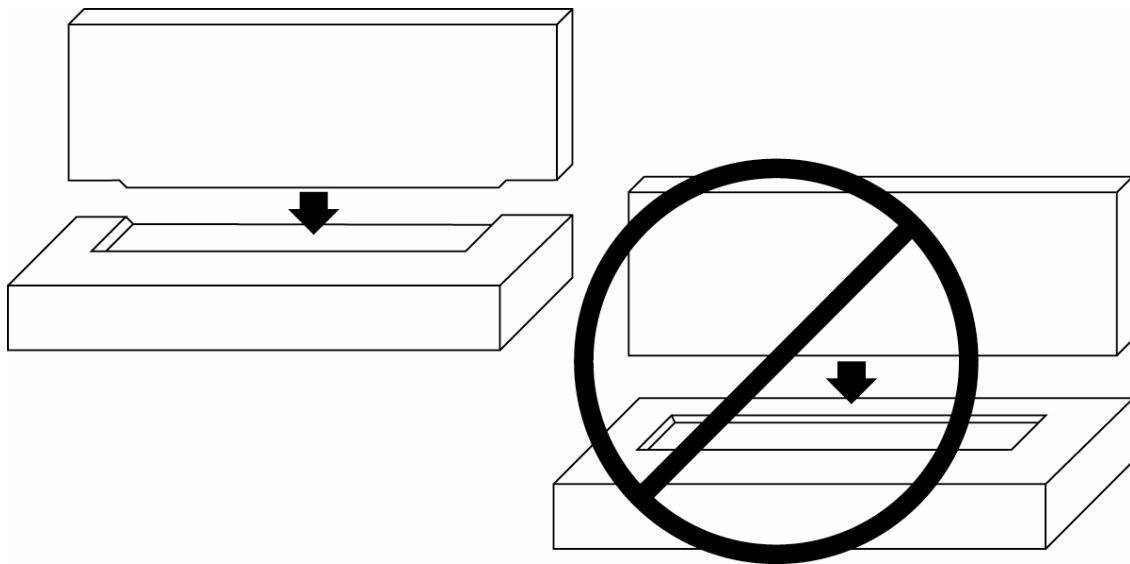
Contoura ControlTop marine worksurfaces feature an integrally molded 1/2" radius outer edge and a worksurface with a 1/4" raised liquid containment rim.

### Contoura ControlTop With 1/2" Molded Radius



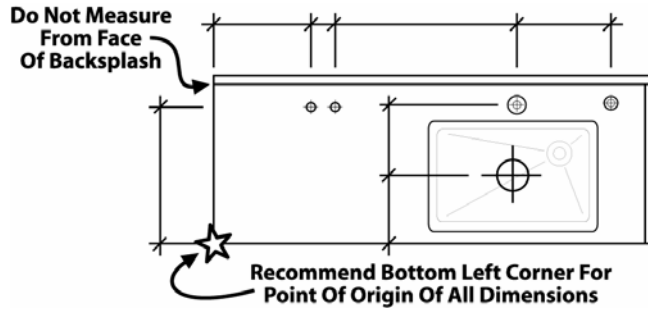
- iv. Contoura Control marine worksurface edges will not be applied. Please contact Durcon for available sizes.
- v. Contoura Control worksurfaces must maintain a 1" overhang on all sides to clear casework corners.

Use curb for containment on back edge of ClassicTop Marine and Contoura Control marine worksurfaces. Recommend not stacking loose curbs on top of marine edges.

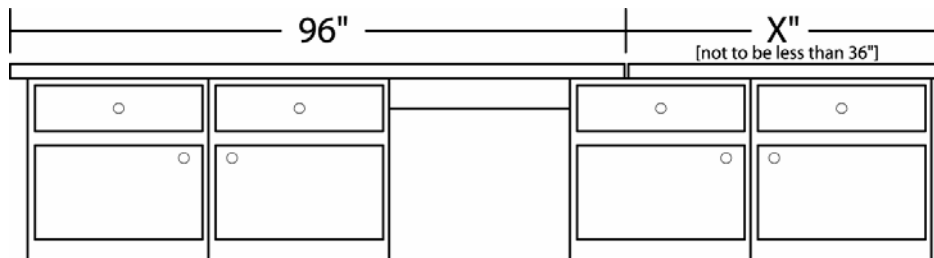




- W. Specify worksurface dimensions from the bottom left hand corner of the countertop, not from any other surface (Example: do not measure from backsplash).



- X. Avoid seams in knee spaces and wet areas.



- Y. Utilize 6' and 8' tops on flat, coved curb and marine edge tops to minimize seams (3' minimum length recommended).

#### Thickness

- Z. Specify top thickness.

1" thick solid epoxy resin is the industry standard. 3/4" and 1-1/4" thick worksurfaces are available for special applications.

Specify marine worksurface thickness from the raised outer edge. The industry standard for marine tops is 1" thick. 1-1/4" thick outer edges are also available.

Specify fume hood worksurface thickness from the raised outer edge. Durcon fume hood bases are available in the industry standard 1-1/4" thickness. 1" thick outer edges are also available for special applications (see Section XII).

#### Joints

- AA. If joints are not indicated by customer on shop drawings:

Worksurface joint sizes are .09" and shall be calculated by Durcon.

Wall-to-wall applications require another .09" worksurface reduction to be taken for each wall to allow for variations in walls (Durcon responsibility).



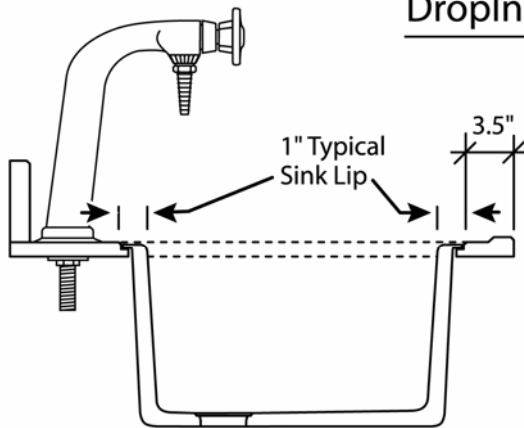
BB. When joints are specified by customer on shop drawings:

Worksurfaces will be made to customer size requirements. No consideration for joint requirements will be made by Durcon.

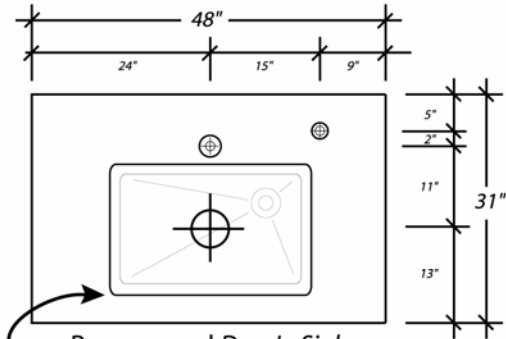
Cutouts

CC. Specify cutout locations from the bottom left hand corner of the worksurface section to the centerlines of the cutout.

### DropIn Sink Cutouts

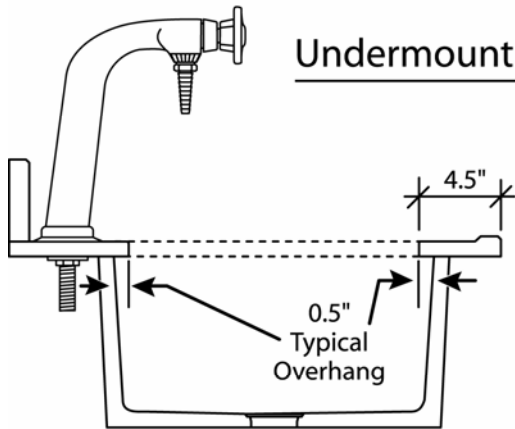


Calculate DropIn Sink Cutout Dimensions  
By Adding 2" To The Length And Width  
Of The I.D. Of The Sink

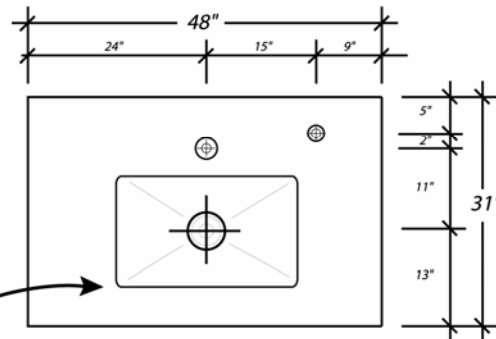


Recommend *DropIn Sink*  
Cutouts Begin 3.5" Minimum  
From The Worksurface's Edges

### Undermount Sink Cutouts



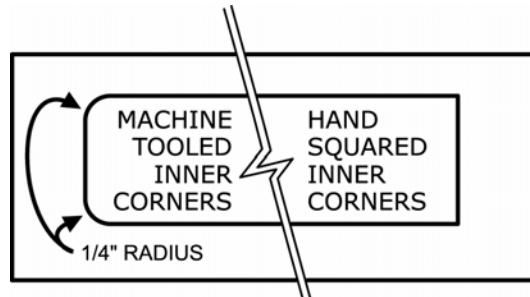
Calculate Undermount Sink Cutout Dimensions  
By Subtracting 1" From The Length And Width  
Of The I.D. Of The Sink



Recommend *Undermount Sink* Cutouts  
Begin 4.5" Minimum From The Worksurface's Edges



- DD. The standard location for a DropIn Sink cutout begins 3-1/2" from the worksurface's edges (subject to casework constraints).
- EE. The standard location for an Undermount Sink cutout begins 4-1/2" from the worksurface's edges (subject to casework constraints).
- FF. Tooled inner corners are standard. Specify if a squared inner corner is required (an extra charge will be applied for hand sanding square inner corners). In certain applications enlarging the cutout for clearance will eliminate the need to square the corners.



- GG. Centerline required on all cutouts (example: DropIn cutouts can cause confusion when measured from edge to edge).
- HH. Special cutouts for items such as stainless steel sinks, grommets and vandal resistant fixtures require a cut sheet.

### Curbs (Backsplashes)

#### II. Loose curbs

The standard height of loose curbs is 3.88". This allows for an additional 1/8" adhesive joint which brings the overall installed height to 4".

Loose curbs can be fabricated to any height.

We recommend a curb thickness equal to the worksurface thickness for 1" and 3/4" thick tops. To maximize workspace, 1-1/4" thick epoxy countertop installations should utilize 1" thick curb material.

Curb length is determined by worksurface length unless otherwise specified.

Curb length will be shortened at finished edges:

- 1/8" for machined bevel edges
- 1/4" for machined radius edges
- 1/2" for Contoura edges

The top edge of ClassicTop loose curbs can be supplied with a 1/8" machined bevel or a 1/4" machined radius. Please specify preference on drawings.

Use curb for containment on back edge of marine worksurfaces (recommend not stacking loose curbs on top of marine edges). See illustration in Section IV.

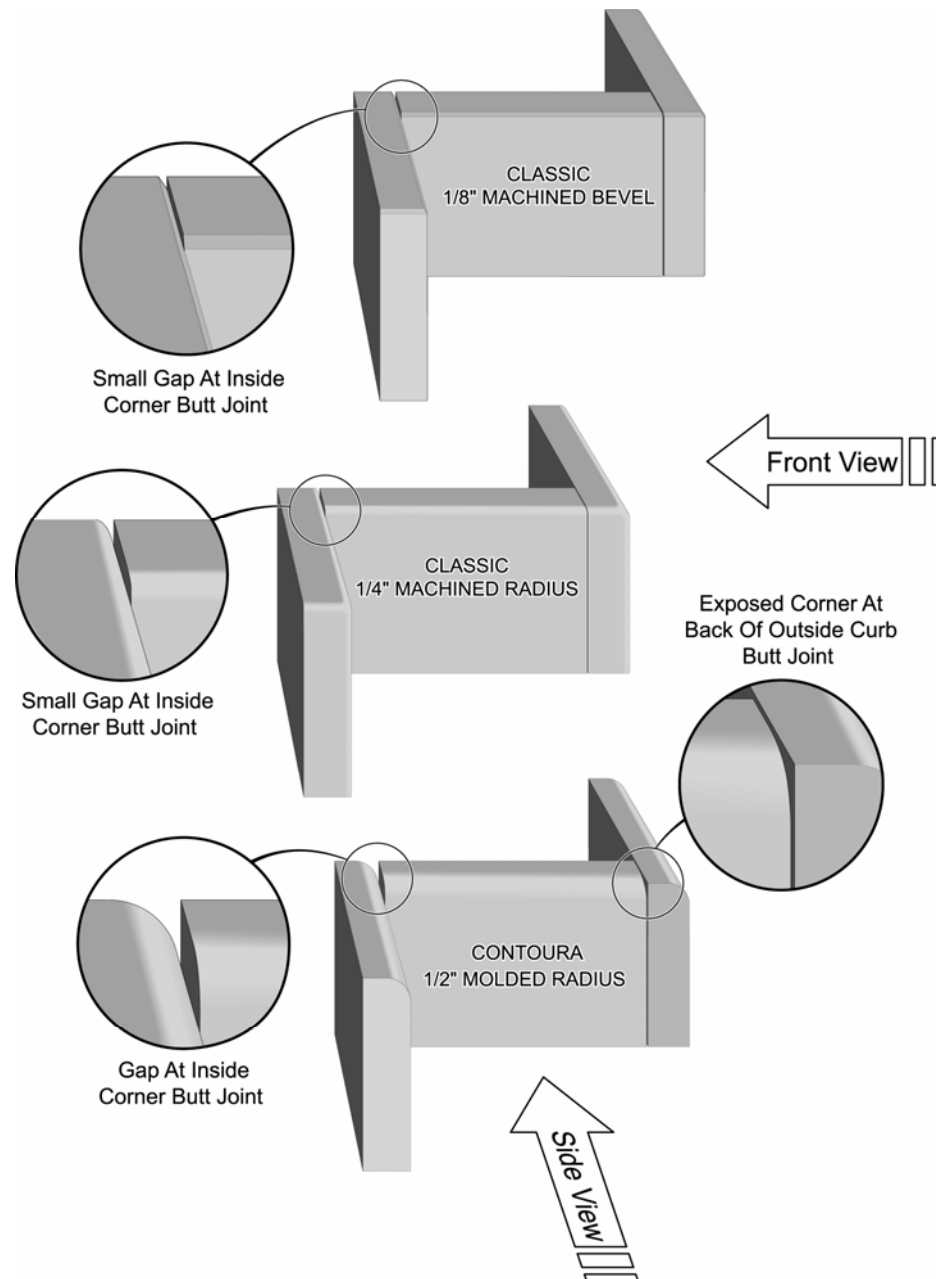


ContouraTop and Contoura Control marine worksurfaces' loose curbs are supplied with a standard 1/4" machined radius unless otherwise specified. A 1/8" machined bevel or a 1/2" molded radius are also available.

Loose curb transitions are engineered as butt joints (not mitered).

If mitered joints are required, they must be fabricated on site to allow for field conditions. If specified, Durcon will supply backsplashes in sufficient lengths to allow miter cuts to be made on site.

Loose curbs with a 1/2" molded radius or a 1/4" machined radius require additional epoxy filler at intersecting corners. This filler must be carefully applied to create smooth transitions.





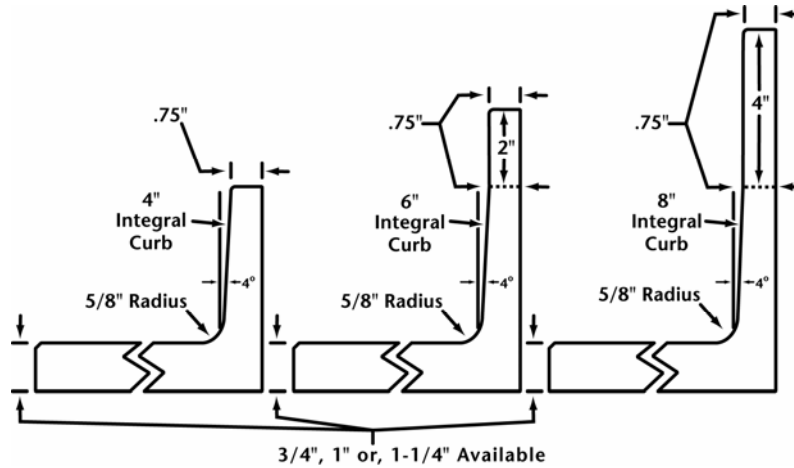


JJ. Integral (coved curb) backsplashes are available for ClassicTop and Classic MarineTop only (utilize loose curbs for ContouraTops).

Standard height of an integral curb is 4".

6" and 8" tall integral curbs are available upon request (an up-charge will apply).

Integral curbs are 1" thick at the worksurface and taper to 3/4" thick at the top edge.



Utilize 6' and 8' long integral curb tops to reduce costs and minimize seams (3' minimum length recommended).

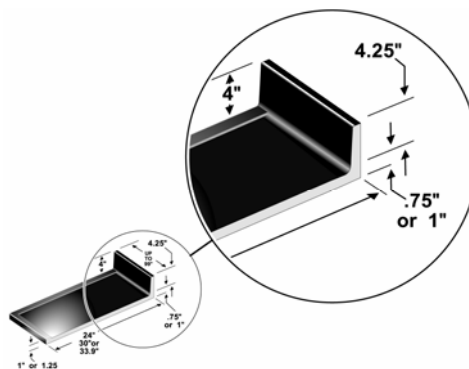
*ClassicTop Coved Curb* worksurfaces are available in seamless lengths up to 98".

4" integral curbs are available in depths up to 38".

Integral curb heights between 4" and 8" are available in depths up to 31".

*ClassicTop Marine Coved Curb* worksurfaces are available in seamless lengths up to 99". Durcon measures curb height of coved curb marine edges from the top of the marine edge (not from the worksurface).

Marine worksurfaces with 4" tall integral curbs are available in molded depths of 24", 30" and 33.9" only.

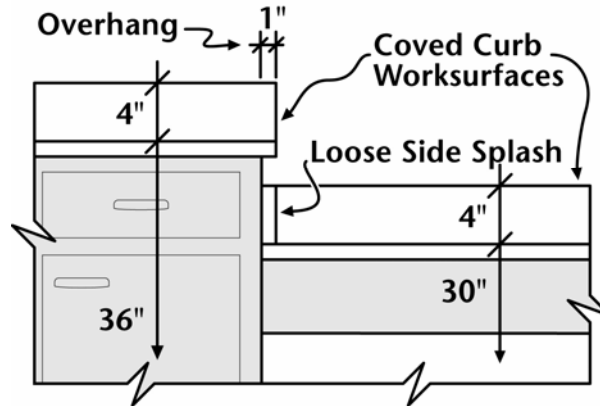


Marine worksurfaces with integral curb heights between 4" and 8" are available in a molded depth of 30" only.



High/Low covered curb transitions (example: standing height to sitting height in a worksurface run).

### STANDING TO SEATED ELEVATION

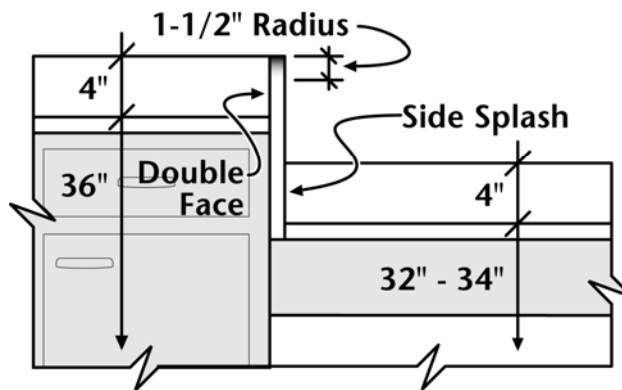


Protect regular height cabinet's exposed side with a loose curb installed (widthwise) on top of the low worksurface.

Recommend a 1" worksurface overhang on the side of the regular height cabinet.

Standing height to ADA height coved curb transitions.

### STANDING TO ADA ELEVATION



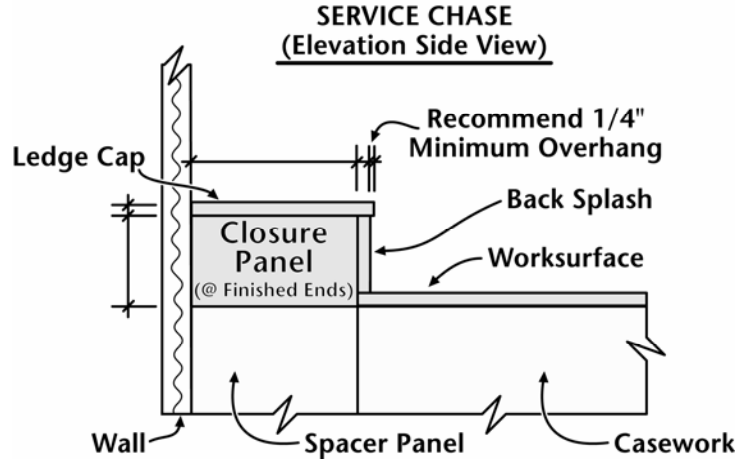
Recommend creating a full divider by trimming 1" from lower elevation and butting a loose curb from the bottom of the lower elevation to the top of the upper elevation's curb.

- i. Recommend adding 1/8" to the top length to allow installer to trim in case of wall variations.
- ii. Specify a 1-1/2" radius at the front of the loose curb.



Service Chases (Box Curbs)

KK. Epoxy service chases require the curb to be mounted away from the wall to allow space for piping and fixture mounts.



The standard practice is to install the cabinet away from the wall and mount the worksurface and backsplash as normal. Span the horizontal space from the wall to the top of the backsplash with an epoxy resin ledge cap.

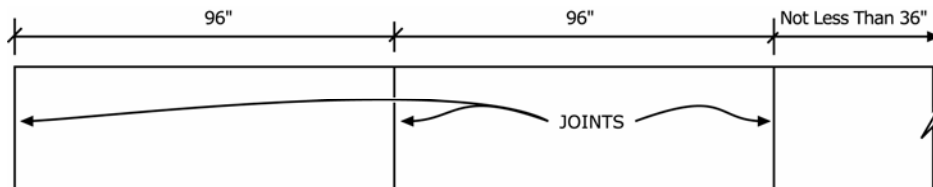
Allow ledge cap to overhang face of curb 1/4" (minimum).

An epoxy resin closure panel can be created for exposed open ends (closure panels fit inside the service chase and are measured from the bottom of the service cap to the top of the cabinet/access panel and from the wall to the back of the curb). Please draw and specify material of all closure panels. Durcon will not supply panels unless specified.

Allow enough space between sinks and front of ledge caps for fixtures (note: Durcon recommends 2-1/2" from back I.D. wall of sink to centerline of fixture hole).

Islands/Peninsulas

LL. Without Service Strip





Worksurface joints on islands and peninsulas should be made from the front edge to the back edge. Lengthwise joints should be avoided if possible.

Sequence of struts to determine the location of joints.

Indicate if tops are being installed prior to uni-strut or uprights.

Minimum top length of 36" (if possible).

If tops must be cut under 36" wide because of pre-installed uprights or other conditions, lengthwise joints should be considered.

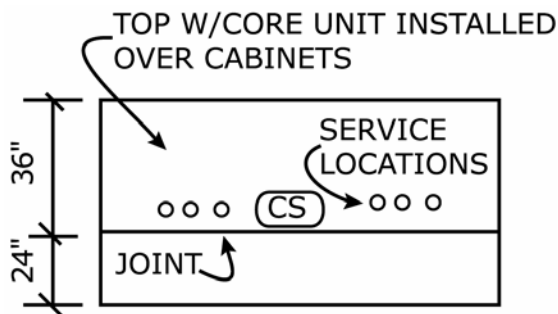
Place joints beside uni-strut and upright cutouts. Avoid placing joints through the cutouts (this raises costs due to additional machining requirements).

An installation joint is to be made if tops are to be installed after uni-struts and other uprights.

Customer is to draw the joints when uni-strut or uprights are present.

Double direction joints are to be pre-approved by customer's project manager.

#### MM. With Service Strip



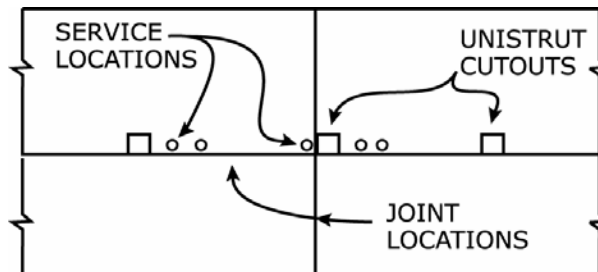
Specify lengthwise joint locations

Combine service strip plus one side as one piece if possible to minimize joints.

#### NN. Single Uni-strut (with or without service holes)

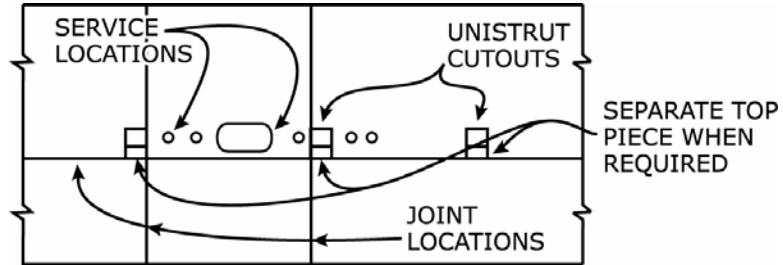
Place joints at the uni-strut and eliminate the center joint (specify if the center line is intended as a joint line).

Avoid joints going through cutouts.





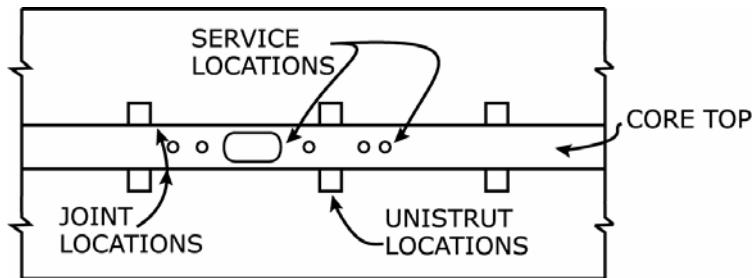
When a cutout is wider than the uni-strut (example: cupsinks), we recommend inserting a filler piece.



OO. Double Uni-strut

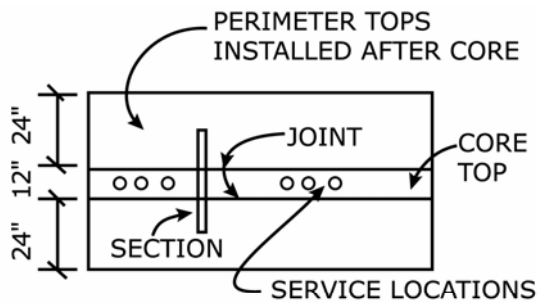
Specify a separate worksurface section (core top) for the space between the uni-struts (lengthwise).

Abut worksurfaces to each side (with uni-strut cutouts).



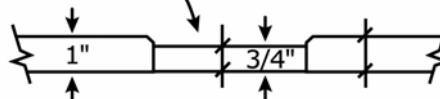
PP. Moisture Containment in the service ledge

Specify a separate 3/4" thick worksurface section for the service ledge and bevel the top edge of the abutting 1" thick worksurfaces.



**SECTION**

USE OF 3/4" MATERIAL @ CORE TOP IF CONTAINMENT REQUIRED





#### Shelving/Pegboards

QQ. Reagent shelves should not be drawn over tops. Separate drawings required to eliminate confusion.

RR. Machined double-faced shelves and pegboards can be supplied upon request.

Specify all double-faced surfaces as D/F.

SS. We do not double-face shelves that are less than 18" above worksurface unless specified otherwise.

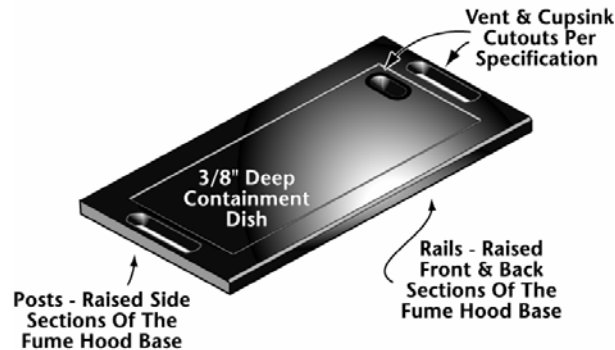
TT. An up-charge will apply to all double-faced surfaces.

#### Fume Hood Bases (Worksurfaces)

UU. Select Between:

*Classic Fume Hood Bases* are seamlessly molded in a variety of sizes and containment options to fit most fume hood cabinets.

### **Classic Fume Hood Base**



If non-standard size bases are required, custom fume hood worksurfaces may be created by utilizing the cut and seam or the applied marine edge methods referred to in Section IV.

Classic Fume Hood Bases have a 3/8" raised liquid containment rim.

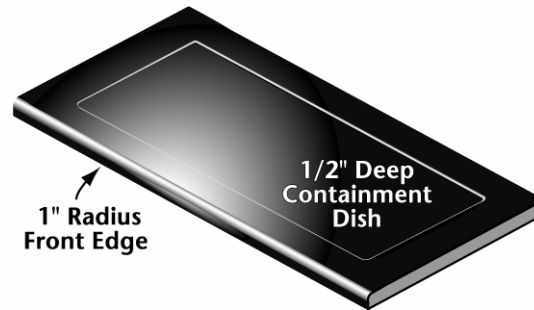
Durcon supplies either a 1/8" machined bevel or a 1/4" machined radius along the front edge. Sides are squared and finished.

Specify if spacers are required at the rear of the hood for extra deep tops.



Contoura Control Fume Hood Bases are seamlessly molded in a variety of sizes and containment options to fit most fume hood cabinets.

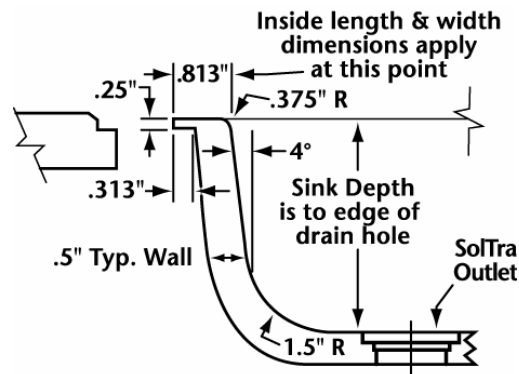
## Contoura Control Fume Hood Base



Please contact Durcon for sizes. Limited sizes available in Contoura Control Fume Hood Bases. Larger size selection available in ClassicTop Fume Hood Bases.

### Sinks

- VV. Dropln Sinks - Standard installation requires a beveled rabbet cut through the worksurface so that the lip of the rabbet cut supports the protruding sink rim. The sink rim is inset into the top below the bevel. No under sink supports are required. Flush or top mount installation can be specified for special applications.



Supply Durcon with the Dropln Sink model number or inside sink dimensions.

Supply the sink's centerline measured from the worksurface's bottom left corner.

Standard Dropln sink installation allows a 3-1/2" worksurface strip between the worksurface's edges and the outer sink rim (see Section VII).



For sink sizes and drain location please refer to Durcon's Sink Schedule.

DropIn Sinks with corner drain outlets are recommended whenever practical.

Corner outlets increase storage area under the sinks by locating plumbing to the rear and side of the sink cabinet.

Corner outlets help prevent draining difficulties resulting from items in the sink covering or blocking the outlet.

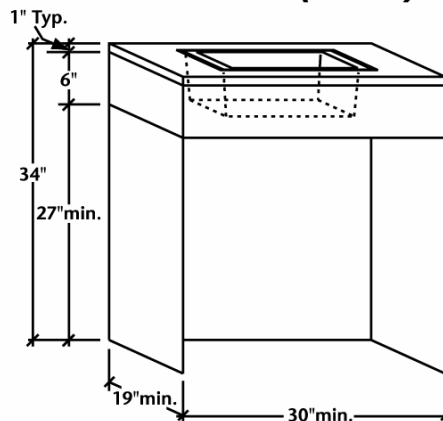
Corner outlets allow for a larger usable sink area when an overflow is to be used.

Double DropIn Sink installation requires a separate sink cutout for each sink unit with a minimum 1" worksurface space between the outer sink rims.

Americans with Disabilities Act (ADA) DropIn Sinks are shallow basin DropIn Sinks with corner drains. This design maximizes under sink space to help meet ADA requirements.

The U.S. Department of Justice's Americans with Disabilities Act home page <http://www.usdoj.gov/crt/ada/adahom1.htm> lists sink area compliance as:

### **Handicapped Accessible Sink Unit (ADA)**

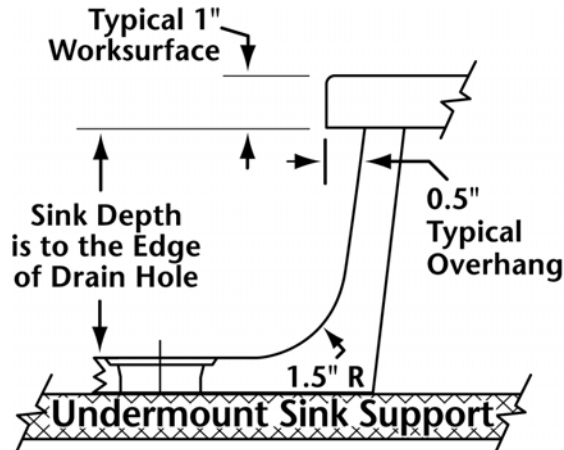


- i. **4.24.2 Height.** Sinks shall be mounted with the counter or rim no higher than 34 in (865 mm) above the finish floor.
- ii. **4.24.3 Knee Clearance.** Knee clearance that is at least 27 in (685 mm) high, 30 in (760 mm) wide, and 19 in (485 mm) deep shall be provided underneath sinks.
- iii. **4.24.4 Depth.** Each sink shall be a maximum of 6-1/2 in (165 mm) deep.
- iv. **4.24.5 Clear Floor Space.** A clear floor space at least 30 in by 48 in (760 mm by 1220 mm) complying with 4.2.4 shall be provided in front of a sink to allow forward approach. The clear floor space shall be on an accessible route and shall extend a maximum of 19 in (485 mm) underneath the sink.





WW. Undermount - Standard installation requires a beveled cutout in the worksurface 1" smaller than the inside (length and width) dimensions of the sink unit. A 1/2" worksurface lip overhanging the sink on all sides is standard. Undermount sinks require sink support(s). Durcon does not supply undermount sink supports.



Supply the sink model number or inside sink dimensions.

Supply the sink's centerline measured from the worksurface's bottom left corner.

For sink sizes and drain location please refer to Durcon's Sink Schedule.

Undermount Sinks with corner drain outlets are recommended whenever practical.

Corner outlets help prevent draining difficulties resulting from items in the sink covering or blocking the outlet.

Corner outlets allow for a larger usable sink area when an overflow is to be used.

Double Undermount Sink installation:

Two sink cutouts may be used (eliminating the expense of gluing sinks together).

- i. Separate undermount sink cutouts require a minimum 2" worksurface space between the sinks.
- ii. Separate sinks eliminate the need to replace both sinks if one sink fails.

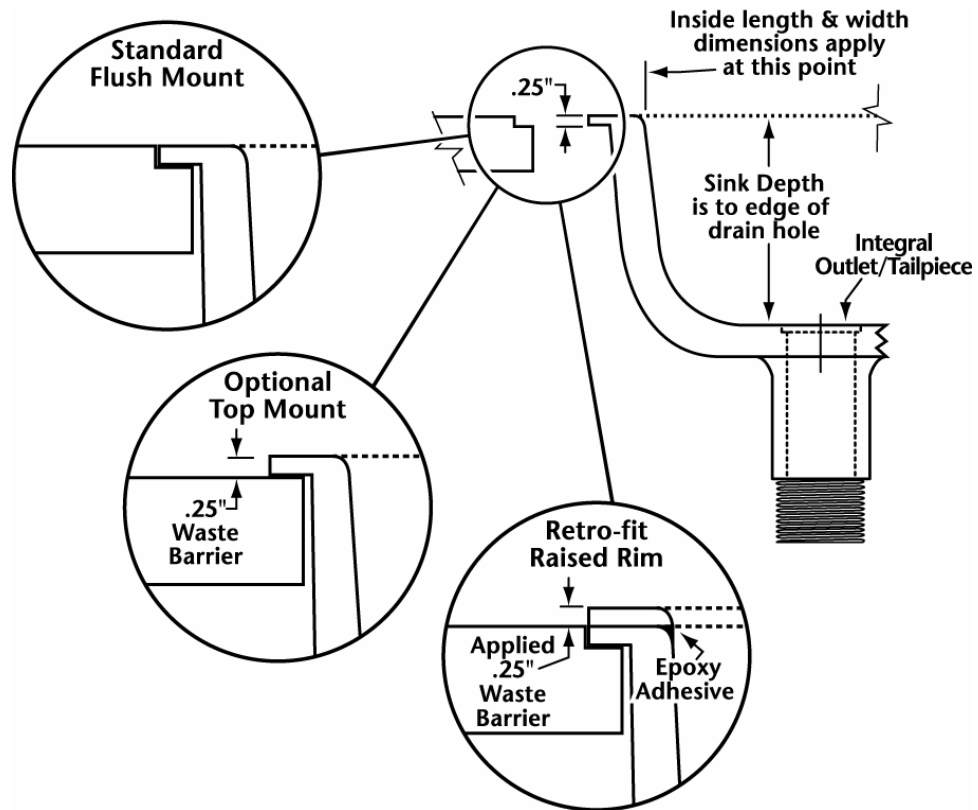
A single cutout for double undermount sink installation requires gluing or clamping the sinks together (an up-charge will apply).

- iii. Specify if long or short sides of sink walls are to be glued together.
- iv. Specify drain location for each sink in double sink assembly (only necessary for corner and end drain sinks).



## Cupsinks

XX. Cupsinks are designed for convenient disposal of liquid waste in fume hoods or on the bench top. Durcon offers a variety of cupsink styles and shapes (see literature for details). Flush mounted cupsinks are standard. Please specify if an alternative installation method is required.



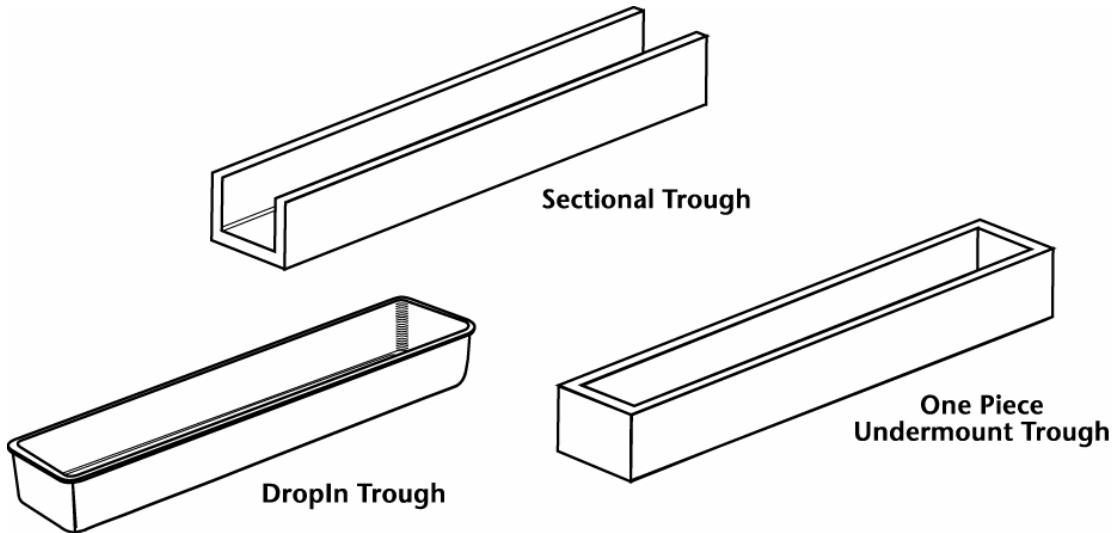
Flush-mounted cupsinks are standard. This installation requires a rabbet cut in the work surface. The cupsink is installed so that the upper rim is flush with the work surface.

Top mount installation can be specified to provide a 1/4" waste barrier around the cupsink basin (required in certain regions). Top mount installation requires a simple through cut in the work surface.

Top mount retrofits require gluing a 1/4" tall cupsink rim over an installed flush mounted cupsink's rim.



## Troughs



YY. *Sectional Troughs* provide convenient liquids disposal for multiple users. These long shallow undermount basins can be trimmed to size or joined together to create longer runs as they are installed. Maximum length of sectional troughs is 18' (with end drain).

Sectional trough end caps are applied before shipment.

Outlet openings are machined by Durcon.

Sectional troughs require a sink support for each section. Durcon does not supply sink supports.

Trough installation kits to join sections are supplied at an additional cost.

ZZ. *DropIn Troughs* are one-piece units that are installed from the top and supported by the surrounding worksurface (see literature for dimensions).

AAA. *One Piece Undermount Troughs* with molded end caps and a molded outlet opening are available (see literature for dimensions).

One piece undermount troughs require sink supports. Durcon does not supply sink supports.

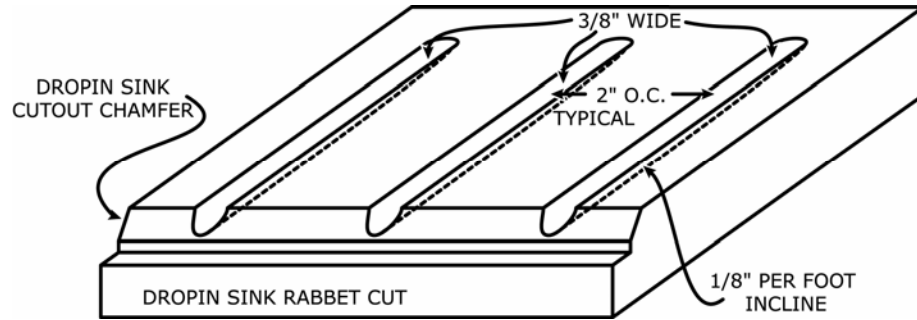
## Sink Units (Worksurfaces)

### BBB. Classic MarineTop

The back splash provides moisture containment on the backside of the unit (recommend not stacking backsplash on marine edges [see illustration in Section IV]).

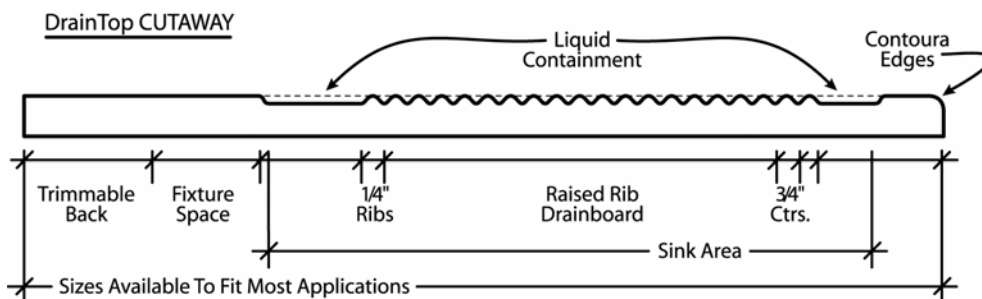
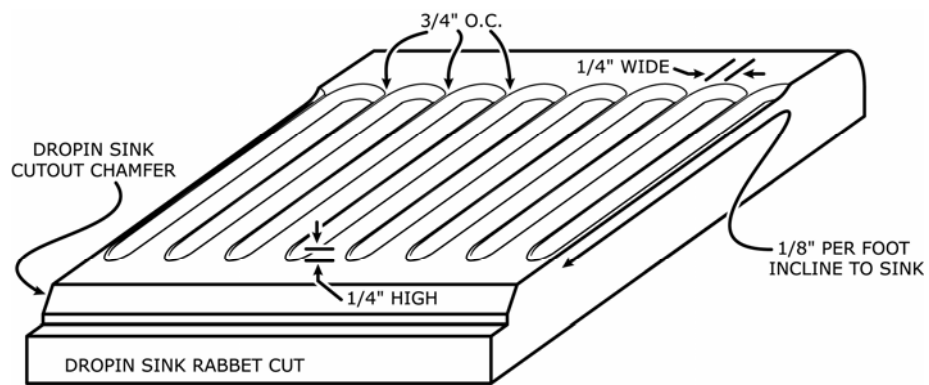


Recommend drain grooves be no less than 2" apart O.C.



Recommend 18" maximum length for DropIn Sink drain grooves to maintain 1/8" per foot incline.

CCC. DrainTops - Contoura Control sink unit with raised rib drain board



Designed for use with Contoura and Contoura Control worksurfaces as an inline worksurface section or as an island/peninsula end piece.

Durcon can trim 1-5/8" from a DrainTop's front and sides to accommodate ClassicTop bevel and machined radius edge applications.



## Installation

DDD. Durcon recommends utilizing experienced epoxy installers for epoxy resin worksurfaces and sinks.

EEE. Notify installer if tops are being installed prior to uni-struts or uprights.

FFF. Installation and Maintenance Manual available upon request.

GGG. MSDS Sheets for Smooth-On<sup>®</sup> and Durcon Epoxy are available upon request.

HHH. Smooth-On<sup>®</sup> is available upon request. Durcon estimates usage at 1 qt. per 150 sq. ft.



Specification

LABORATORY CASEWORK SECTION:

2.6 WORK SURFACES

A. Epoxy Resin Work Surface:

1. Manufacturer: Durcon Incorporated

2. Materials and Fabrication:

a. General: Material shall be a monolithic, filled epoxy resin product and shall consist of a polymerized cast resin material formulated to provide a work surface with high chemical resistance characteristics. The combination of epoxy resin and asbestos free inert materials shall be oven-cured in molds to obtain maximum chemical resistance, then removed from the molds and oven tempered to achieve maximum physical strength and stability. Surfaces shall have a uniform low-sheen surface and the finished material shall be extremely hard and resistant to scratches and abrasion.

b. Thickness:

SELECT ONE

- 1" thick (industry standard)
- 3/4" thick
- 1-1/4" thick

c. Edges and Corners: Exposed work surface edges and corners, except as indicated, shall be furnished with a:

SELECT ONE

- 1/8" machined top edge with blended radius corners
- 1/4" machined radius top edge with blended radius corners
- 1/2" molded radius top edge with 1-1/2" molded radius corner (Contoura™)

d. Surface: Worksurfaces shall be furnished as:

SELECT ONE

- Flat
- 1/4" raised marine edge
- Flat with 1/4" raised marine edge only at epoxy sink locations

e. Backsplashes:

SELECT ONE

- Supplied loose for field application in the same material and thickness as countertops. Curbs as installed shall be 4" high, unless otherwise indicated on drawings. Curbs will be bonded to the tops at the jobsite. Include top mounted end curb where worksurfaces abut walls, fume hoods, and locations detailed on drawings.
- Integrally molded 4" high with 5/8" coved juncture to top surface. Loose curbs supplied where work surfaces abut walls, fume hoods, and locations detailed on drawings as well as around columns and uprights.



SELECT  
ONE



- f. Color:
    - Black Onyx (industry standard)
    - Graphite
    - Gray
    - Forest Green
    - Steel Blue
    - Tan
    - White
  - g. Warpage: Check work surface for warpage before fabrication. Measure in unrestrained condition. Work surface will be accepted for use if there is no gap exceeding 1/16" in a 36" (0.9m) span.
  - h. Fabrication: Provide in longest practical lengths. All joints shall be bonded with a highly chemical and corrosion resistant epoxy grout. Provide 1/8" drip groove on underside of exposed edges set back 1/2" from edge at all sink areas and where shown on drawings. All exposed edges to be molded or finished.
  - i. Thickness Tolerances: Each corner of top shall not deviate more than plus or minus 1/16" from nominal.
  - j. Size Tolerances: Length, plus or minus 1/8". Width, plus or minus 1/16".
  - k. Squareness: Compare the diagonal corner-to-corner measurements across the width of each work surface. The diagonal measurements must be within 1/16".
  - l. Penetrations: Location of cutouts and drillings: Plus or minus 1/8". Sizes of cutout and drillings: Plus or minus 1/16".
3. Material Properties: Provide independent testing laboratory report certifying that the epoxy work surface meets or exceeds the following test criteria:

- a. Chemical Resistance:

Test Methods:

Volatile chemicals (organic solvents): A cotton ball, saturated with the test chemical (reagent) is placed in a one-ounce bottle (10 x 75mm test tube or similar container) with a reservoir of liquid above the ball. The container is inverted on the test material for a period of 24 hours at a standard temperature of 23° plus or minus 2°C. (73° plus or minus 4°F).

Non-Volatile Chemicals: Five drops (1/4cc) of the test chemical are placed on the test material surface. The chemical is covered with a watch glass (25mm) for a period of no less than 24 hours at a standard temperature of 23° plus or minus 2°C. (73° plus or minus 4°F).



Evaluation Ratings:

After 24 hour exposure, surfaces are washed with water, then a detergent solution, finally with naphtha, then rinsed with distilled water and dried with a cloth. Change in surface finish and function shall be described by the following (1-5) ratings:

- 1) No Effect: No detectable change in the material surface.
- 2) Excellent: Slight detectable change in color or gloss, but no change to the function or life of the work surface material.
- 3) Good: Clearly discernible change in color or gloss, but no significant impairment of surface life or function.
- 4) Fair: Objectionable change in appearance due to surface discoloration or etch, possibly resulting in deterioration of function over an extended period.
- 5) Failure: Pitting, cratering or erosion of work surface material; obvious and significant deterioration.

Minimum acceptable test results shall be equal to or better than the following rating:

Chemicals	Minimum Acceptable Results	Chemicals	Minimum Acceptable Results
<b>Inorganic Acids – Corrosive</b>		<b>Organic Solvents</b>	
Chromic Acid 40%	4	Acetone	2
Hydrochloric Acid 10%	1	Benzene	2
Hydrochloric Acid 37%	1	Carbon Tetrachloride	2
Nitric Acid 40%	1	Dimethyl Ether	1
Nitric Acid 70%	1	Dimethyl Formamide	1
Sulfuric Acid 60%	1	Ethyl Acetate	1
Sulfuric Acid 96%	5	Ethyl Alcohol 95%	1
<b>Organic Acids – Corrosive</b>		Ethylene Dichloride	1
Acetic Acid 5%	1	Heptane	1
Acetic Acid, Glacial	1	Isooctane	1
Citric Acid 1%	1	Kerosene	1
Oleic Acid	1	Methyl Alcohol	1
Phenol Solution 5%	1	Toluene	1
<b>Alkaline Solutions – Corrosive</b>		<b>Organic Compounds</b>	
Ammonium Hydroxide 10%	1	Aniline	1
Sodium Carbonate Sol 20%	1	Mineral Oil	1
Sodium Hydroxide 60%	1	Olive Oil	1
Sodium Hypochlorite Sol 4%	1	Soap Solution 1%	1
Potassium Hydroxide 15%	1	Transformer Oil	1
		Turpentine	1





- b. **Hardness (ASTM D785):**  
Test Method: Hardness, Rockwell M "M" Scale; average of five readings.  
Minimum Acceptable Test Results: Average value of 100 over the five samples.
- c. **Water Absorption (ASTM D570):**  
Test Method: Specimens measuring 3" in length by 1" in width by the thickness of the material should be used. At least three specimens should be tested. After weighing, specimens should be entirely immersed in distilled water maintained at a temperature of 23° plus or minus 1°C. (73.4° plus or minus 1.8°F) for a period of 24 hours. The samples should then be removed, dried and weighed to the nearest 0.001g. The percentage of increase in weight calculated to the nearest 0.01% should then be calculated. Minimum Acceptable Test Results: 0.01%
- d. **Flammability or Rate of Burning (ASTM D794):**  
Test Method: Measure "Average Time of Burning (ATB)" as described in test. At least 5 samples (125mm +/- 5mm in length by 12.5mm +/- 0.2mm in width) should be tested. Minimum Acceptable Test Results: ATB should equal zero.
- e. **Porcelain Crucible - Test A (Non-Standard Test)**  
Test Method: a high-form porcelain crucible, size D, 15ml capacity, shall be heated over a Bunsen burner until the crucible bottom attains an incipient red heat. Immediately, the hot crucible shall be transferred to the top surface and allowed to cool to room temperature. Minimum Acceptable Test Results: Upon removal of the cooled crucible, there shall be no blisters or cracks. Slight dulling or color change is acceptable.
- f. **Heat Deflection @ 264 psi (ASTM 648)**  
Minimum Acceptable Test Results: 193°C (380°F)
- g. **Falling Ball Impact Resistance (ERF 23-69):**  
Test Method: Careful attention to details of test procedure should be followed. A wooden supporting frame must be used with the test. Size of samples: 12" x 12" by the thickness of the material. 2lb steel balls should be used. Three or more samples should be tested. Maximum height of 8'. Minimum Acceptable Test Result: No fracture to a height of 7'.
- h. **Thermal Shock Resistance (Non-Standard Test):**  
Test Method: Two cubes (2" x 2" by thickness of material) are immersed in a dry ice/acetone bath maintained at minus 78°C. The cubes are allowed to remain in the bath for 15 minutes. Each cube is removed and immediately placed in a container of boiling water at 100°C. The procedure is repeated until failure occurs (i.e., cracking, warpage, distortion) for a series of five repetitions.  
Minimum Acceptable Test Results: No visible changes should be observed.
- i. **Flexural Strength and Modulus of Rupture (ASTM D790):**  
Test Method: Test specimens should be prepared from 1" thick production material with a support span 16 times the depth (thickness) of the beam. The original surface of the sample should be unaltered. Recommended sample size is 19.5" x 1.0" x 1.0" (length x width x depth). A minimum of five samples are to be tested. Testing should be carried out to failure of the test sample. Modulus of rupture should be measured as described in the ASTM method. Minimum Acceptable Test Result: Flexural Strength: 10,000 psi - Modulus of Rupture: 1,000,000psi



SINKS AND ACCESSORIES SECTION:

1.3 SINKS

B. Epoxy Sinks (DropIn):

1. Manufacturer: Durcon Incorporated
2. Description: Integrally molded from filled thermosetting epoxy resin, and oven cured. Nominal wall thickness of 1/2" with all interior corners coved to 1-1/2" radius and bottoms pitched to the outlet opening.
3. Drop-In Sinks: Provide as shown on drawings:
  - a. Sink shall be installed such that the top edge of the sink is positioned 1/8" below the work surface with a 30° bevel from the top of the worksurface to the top of the sink lip. The sink joint shall not exceed 1/8" plus or minus 1/16".
  - b. Sealant: Join work surface and sinks with a 2-part epoxy grout or a lab grade silicone.
4. Sink Color: Black Onyx, Graphite, Gray, Forest Green, Steel Blue, Tan or White as specified.
5. Sink Outlets:
  - Polypropylene (industry standard)
    - a. Sink outlets shall accommodate a plastic disc strainer. Provide outlet with 1.93" outlet opening and 1.5" NPSM threads.
    - b. Outlet Color: Black
  - Epoxy
    - a. Sink outlets shall accommodate a plastic disc strainer. Provide outlet with 1.93" outlet opening and 1.5" NPSM threads.
    - b. Outlet Color: Graphite, Gray, Forest Green, Steel Blue, Tan or White as specified.
6. Sink Overflows:
  - a. Sink overflows shall be molded polypropylene.
  - b. Sink overflows shall have an open intake located at least 2" lower than the sink rim when installed. The overflow base shall taper to fit all 1.93" outlet openings.
  - c. Overflow Color: Black

SELECT  
ONE





C. Epoxy Sinks (Undermount):

1. Manufacturer: Durcon Incorporated
2. Description: Integrally molded from modified thermosetting epoxy resin, and oven cured. Nominal wall thickness of 1/2" with all interior corners covered to 1-1/2" radius and bottoms pitched to the outlet opening.
3. Undermount: Provide as shown on drawings:
  - a. Sink shall be installed from underside of countertop.
    - i. Joint between top and sink to be joined with a lab grade silicone
    - ii. Sink supports to be provided by others.
4. Sink Color: Black Onyx, Graphite, Gray, Forest Green, Steel Blue, Tan or White as specified.
5. Sink Outlets:

SELECT ONE

- Polypropylene (industry standard)
  - a. Sink outlets shall accommodate a plastic disc strainer. Provide outlet with 1.42" outlet opening and 1.5" NPSM threads.
  - b. Outlet Color: Black Onyx
- Epoxy
  - b. Sink outlets shall accommodate a plastic disc strainer. Provide outlet with 1.42" outlet opening and 1.5" NPSM threads.
  - c. Outlet Color: Graphite, Gray, Forest Green, Steel Blue, Tan or White as specified.

6. Sink Overflows

SELECT ONE

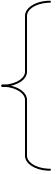
- Polypropylene (industry standard)
  - a. Sink overflows shall have an open intake located at least 2" lower than the sink rim when installed. The overflow base shall taper to fit all 1.42" outlet openings.
  - b. Overflow Color: Black Onyx.
- Epoxy
  - c. Sink overflows shall have an open intake located at least 2" lower than the sink rim when installed. The overflow base shall taper to fit all 1.42" outlet openings.
  - d. Overflow Color: Black



D. Cupsinks:

1. Manufacturer: Durcon Incorporated
2. Epoxy Resin Cupsinks: Provide as shown on drawings.

SELECT  
ONE



- Flush mounted cupsinks shall be of molded epoxy resin. Cove inside corners and pitch bottom to integral 1-1/2" NPSM threaded outlet.
- Surface mounted cupsinks shall be of molded epoxy resin. Cove inside corners and pitch bottom to integral 1-1/2" NPSM threaded outlet.
  - a. Sink Color: Black Onyx, Graphite, Gray, Forest Green, Steel Blue, Tan or White as specified.



## Reference Information

### **SCIENTIFIC FURNITURE TESTS & THEIR RELEVANCE TO LABORATORY APPLICATIONS**

*By Mike Quackenbush, Durcon Technical Services*

#### Chemical Resistance

These tests are reflective of the worksurface's resistance to the major chemical substance classifications (acids, bases, and solvents). Because it is impossible to be 100% sure of the top's performance against any unlisted substance, we recommend the customer check using a sample and the actual material in question. It should be noted that some materials stain the top rather than chemically harming it. This group includes silver nitrate and zinc chloride.

#### Rockwell Hardness "M" Scale

This test measures the force needed to penetrate the surface of the sample. It is generally related to scratch and mar resistance. There are various Rockwell scales and the correct letter designation for the specification is critical.

#### Water Absorption ASTM D-570

This test measures the amount of water absorbed during immersion in water. It is most relevant to applications where high humidity or long term submersion in water may be present as service conditions for the product. The state of the material after it is removed from the water (any separation of layers or swelling) should also be taken into consideration when evaluating the test results.

#### Fire Resistance ASTM D-635

This test measures the material's response to being subjected to an open flame. The sample is marked with start and finish lines. The flame is applied for a set period of time and then removed. The sample is judged on the time it takes for the flame to travel between the lines, or whether it ever gets to the starting line after the flame is removed (if not it is self-extinguishing).

#### Heat Deflection ASTM D-648

This test reflects the temperature at which the material bends under pressure and heat. It is most relevant to high heat applications or very long term medium heat conditions like an oven or high temperature bath that is constantly operating.

#### Flex Strength and Flex Modulus ASTM D-790

The flex modulus refers to the rate at which a material deflects (bends or sags) as weight is put on it.

The flex strength refers only to the breaking point. If the material bends significantly before it breaks (as epoxy tops do), the bending (modulus) data is more relevant than the breaking data, because earlier bending would be detected as distortion of the top before the top ever broke. This is particularly true in shelf or cantilever type applications.

For these reasons, in most design work, the flex modulus should be considered more important than the flex strength.



### Specific Gravity ASTM D-792

This can be compared to get an idea of the relative weights of various products. The specific gravity is the ratio of the weight of the material as compared to the weight of the same volume of water. The density is the material's actual weight per unit of volume.

### Compressive Strength ASTM D-695

The compressive strength test refers to the strength of the material as it is squeezed across its thickness (compressed). The compressive strength of epoxy material is generally far greater than that of the casework below it. It is so much greater that it is practically impossible to apply enough weight to the casework/top assembly to get the countertop to fail in a compression mode before the load is too heavy for the casework to bear.

### Tensile Strength ASTM D-638

Tensile strength is the strength of the material as it is pulled from end to end like stretching a rubber band. As with the compressive strength, this test reflects the material behavior under conditions not reproducible under normal conditions.

## EPOXY RESIN CHEMISTRY

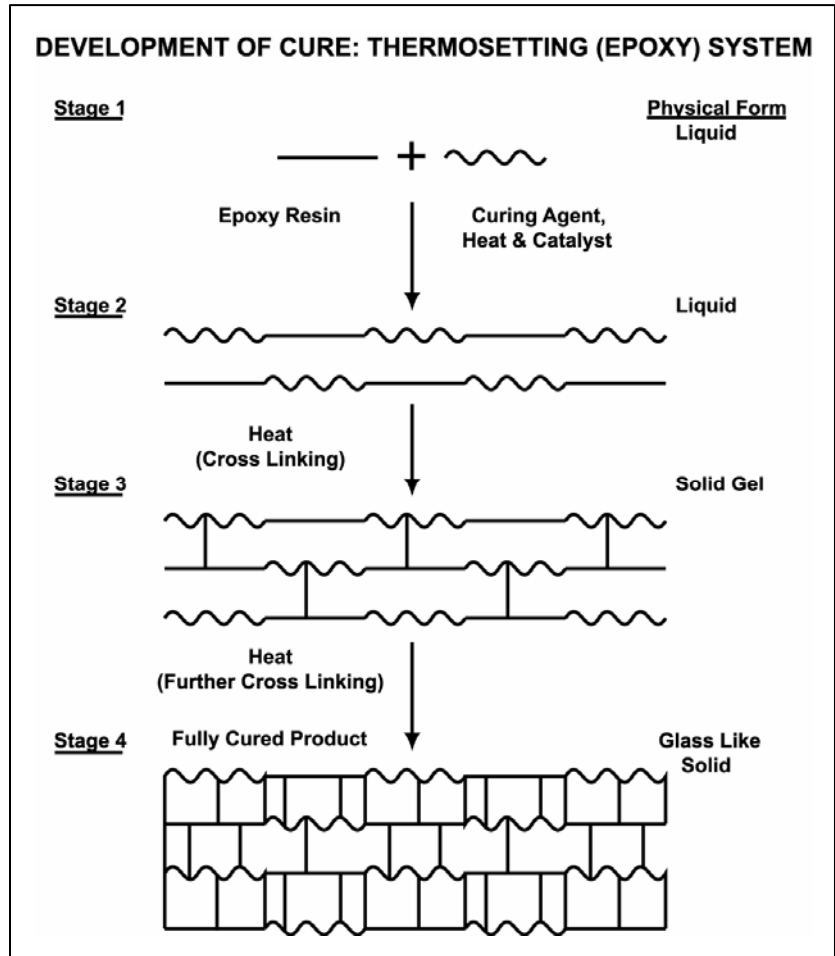
By George Waddill, Durcon Technical Services

The curing of an epoxy resin system normally takes place in stages. The first of these is the combining of the two reactive materials - the epoxy resin and the curing agent. Normally, these two components are kept apart until reaction is desired. The resin is normally a viscous liquid and the curing agent may be a liquid or a low-melting solid.

When combined and a catalyst and heat are added, the resin and curing agent react with a release of additional heat. Reactive epoxy systems always release heat when curing, thus, they are classified as exothermic reactions. The exothermic heat acts to speed reaction. This second stage of reaction results in formation of linear chains of combined epoxy resin and curing agent. As the linear chains form, the material is still in a liquid form but viscosity is increasing rapidly.

Heat and catalyst promote further reaction. The linear polymer chains are combined through chemical reactions in a cross-linking process to form a polymerized system approaching an extremely high molecular weight. During this third stage of reaction, the material changes from a viscous liquid to a solid gel. In this stage, the material is developing strength. It is at this stage that, at Durcon, the material is removed from the mold and placed in a cure oven. This material, just strong enough to be moved, is at a stage of incomplete cure, relatively weak and unsuitable for the intended use.

The final stage of curing, a lengthy process carried out at an elevated temperature at Durcon, results in completion of the cross-linking process. The final product is a very strong, chemically resistant material which is suitable for a variety of applications.





Contact Information

A. Address: Durcon Incorporated  
 206 Allison Dr.  
 Taylor, TX 76574

B. Phone: 512/595-8000 Fax: 512/595-8400

C. Web Page <http://www.durcon.com>

D. e-mail: [sales@durcon.com](mailto:sales@durcon.com)

E. Other References

1. SEFA website for worksurfaces <http://www.sefalabs.com>
2. U.S. Department of Justice's Americans with Disabilities Act (ADA) Home Page <http://www.usdoj.gov/crt/ada/adahom1.htm>

Glossary

TERM	DEFINITION
ADA Compliant DropIn Sinks	ADA compliant drop in sinks are top mounted sinks molded to a 5" inside dimension depth. This shallow depth and the elimination of sink supports helps meet the clearance requirements for American's with Disabilities Act standards.
Adhesive	Two-part chemical resistant epoxy adhesive is provided upon request for installation of tops and sinks. We will be happy to determine proper amount needed for your project. Sold in quart sizes only.
Applied End Splash/Curb	Field application of a loose curb for continuous coved curb effect at the end of corner assemblies.
Backsplash	See Integral Coved Curb or Loose Curb
Balance Table	Stable, chemical resistant work surface ideal for precision metering and measuring. The balance table is shipped unassembled with complete assembly instructions provided.
Butt Joint	The point where two tops will meet on the cabinets. The longest piece we manufacture is 96". Indicate your joint requirements on the drawings you submit to us. If you do not indicate the joint requirements on your drawings, Durcon will determine their placement utilizing maximum piece sizes to reduce the number of joints.
C & F	Cost and freight to named overseas port of import. Under this term the quote includes a price for the goods and the cost of transportation to the named point of debarkation.
CIF	Cost, insurance, and freight to named overseas port of import. Under this term, the quote includes a price for the goods, including insurance, all transportation, and miscellaneous charges to the point of debarkation from vessel or aircraft.





TERM	DEFINITION
Classic MarineTop	1/4" high raised edge, 1" wide. Available in outside thicknesses of 1" or 1-1/4". Standard marine edge sizes can be found in the literature. When requesting a quotation or ordering marine edge tops, you must advise us which sides will have marine edge.
ClassicTop	Standard flat epoxy resin top with 1/8" machined bevel or 1/4" machined radius finished edges. When ordering, Durcon must be advised of which edges should have a finished edge, if any. Available in thicknesses of 3/4", 1 or 1-1/4".
ClassicTop Coved Curb	A ClassicTop with the back curb molded as an integral part of the top. Standard height is 4". Maximum standard depth is 38".
Colors	Black Onyx, Platinum Gray, Pearl, Pacific Blue or Forest Green. Please advise us of your color preference when requesting a quotation or placing an order.
Contoura or ContouraTop	Ergonomic epoxy resin worksurfaces with radiused, integrally molded, edges and corners. Contoura edges feature a 1/2" radius and corners feature a 1-1/2" radius.
Contoura ControlTop	A ContouraTop which features 1/4" raised rim on all four edges for control of spilled liquids.
Contoura DrainTop	A Contoura DrainTop features a unique raised rim on all four sides for control of spilled liquids and radiused edges and corners on the outside for user comfort and safety. The drain board sections are designed with rounded edges and a gentle slope toward the sink from all directions to facilitate easy and thorough draining.
Cupsinks	Smaller molded sinks used primarily for quick disposal in areas of limited space such as fume hoods and narrow counter tops. Available in round and oval styles. Cupsinks are frequently used in fume hoods. Sizes and styles are shown in our literature. Threads on Cupsinks are 1-1/2" N.P.S.M.
Cutouts	Based upon your drawings, cutouts are made for sinks, cupsinks, fixtures, service holes, etc. Your drawing must show exact location and dimensions of cutout.
Delivery	Dates given in quotations indicate the date of shipment from our dock in Taylor, Texas USA. Actual delivery dates will depend on the method of shipments and the destination. Working with our freight forwarder, we can give you approximate transit time for your particular requirement.
Dished Fume Hood	Molded tops with wide side rails to allow for fume hood mounting. Front and back rails are wider than marine edge for spill retention and fume hood mounting. Dished fume hood worksurfaces are available in outside thicknesses of 1-1/4" and 1". A complete list of molded sizes with 3/8" deep dish can be found in our literature and on our website.
Disposal Cutout	Enlarging of outlet opening in our standard sinks to accommodate the collar of a garbage disposal. Specify size required.
Double Sink - Dropln	Two Dropln Sinks installed in the same counter top section. This design eliminates the need for gluing and greatly simplifies installation.

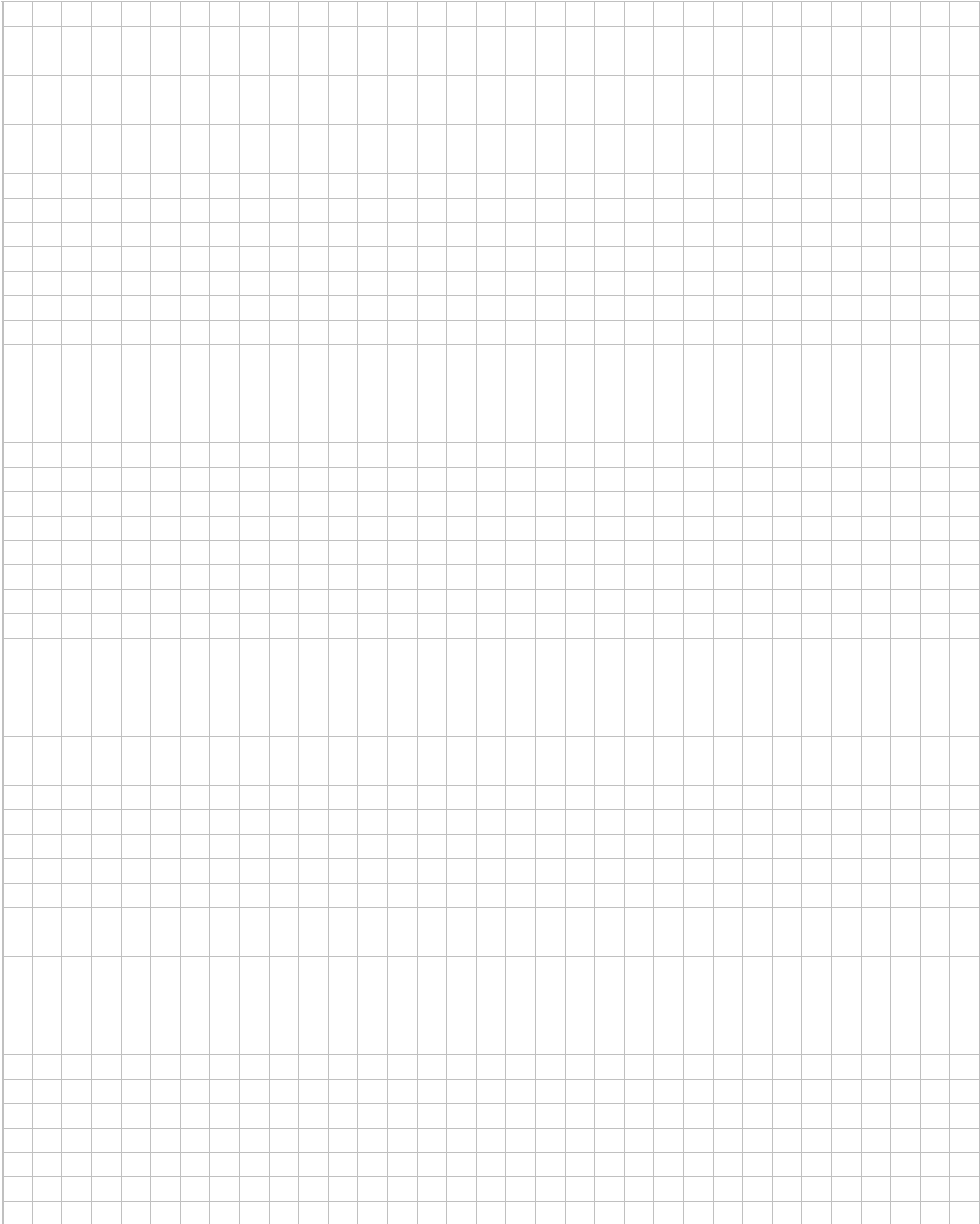


TERM	DEFINITION
Double Sink - Undermount	Two standard undermount sinks glued together. Durcon must have a drawing showing which sides to place together with outlet location indicated. Sinks can be provided separately if sink cutouts are made as two openings instead of one opening. This lowers the cost by eliminating gluing and allows one sink to be replaced if required.
DropIn Sink	Sinks molded with a rim for top mounting. This design eliminates sink supports under the sink.
DropIn Trough	DropIn troughs are flush mounted eliminating the exposed area under the worksurface lip. DropIn Troughs eliminate the need for trough supports, while providing excellent joint integrity.
Efficiency Top	Designed to add flexibility to any school laboratory, this island unit can be used as a student laboratory tabletop to accommodate multiple students or as an instructor's table. It can be joined to wall benches using a factory-supplied connecting piece. A center positioned sink cutout of any size can be cut for use.
Ex-Works Factory	Buyer assumes responsibility when goods leave our plant. Price quoted does not include transportation charges.
Finished Edge	Edges that will be exposed are beveled or radiused and finished upon request for all fabricated pieces. Edges at butt joints will not be finished. Edges to be finished should be marked with Bev, Rad or Cont on drawings (see Section III).
Finishing Oil/Top Dressing	Supplied upon request, this oil can be used on our tops to maintain surface sheen and enhance the appearance.
F.O.B. Taylor, TX	Buyer assumes responsibility when goods leave our plant. Price quoted does not include transportation charges.
Integral Coved Curb	Backsplash molded as part of the worksurface. Used in special applications where minimizing joints is critical.
Irrevocable Letter of Credit	A document issued and guaranteed by a bank per instructions by a buyer of goods, authorizing the seller to draw a specified sum of money under specified terms, usually the receipt by the bank of certain documents within a given time.
Loose Curb	Backsplash manufactured and shipped as a separate piece and installed at the job site. Loose curbs are recommended to reduce cost of installation, particularly where wall alignment may not be perfect. Typical loose curb height is 4" from the surface after installation.
Marine Insurance	Insurance that compensates the owners of goods transported overseas in the event of loss that cannot be legally recovered from the carrier.
Open Account	A trade arrangement in which goods are shipped to a buyer and are to be paid for within a certain agreed upon time period. Standard domestic terms: Net 30 days.
Outlet	Available in epoxy or polypropylene. 1-1/2" N.P.S.M. sink drain with integral tailpiece. Outlets fit into outlet holes in all of our molded sinks. A locknut is supplied with each outlet to secure outlet to the sink while the silicone or adhesive dries properly. The locknut should be hand tightened only.



TERM	DEFINITION
Overflow	Fits into the sink outlet to allow for constant fluid level in a sink. Available in heights of 4", 6", and 8". Please specify which style you will require. Recommend that the height of the overflow be at least 2" below the overall height of the sink.
Peg	Supplied with pegboards to support drying glassware. Black, white and gray pegs are available in lengths of 6-1/2", and 8". Peg length and color are based upon your request.
Pegboard	Vertical pegboards supplied with polypropylene pegs set at a 30° angle to the base for effective support and draining of laboratory glassware. Complete listing of sizes available can be found in our literature. Stainless steel drip trays used to catch drips and hold beakers below the pegboard are available through Durcon (see Pegboard Drip Tray).
Pegboard Drip Tray	Stainless steel Drip Trays are used to catch drips and hold beakers below the pegboard. 2" wide trays are standard with 4" wide trays available. PVC tubing to direct liquids into a sink basin is included.
Rabbit Cut	A groove, channel or recess cut into top surface, but not through surface, to accommodate lipped or flanged fixtures etc.
Sight Draft	A draft that is payable upon presentation to the drawee.
Sink	Molded epoxy resin sinks are available in standard sizes with standard outlet hole locations as indicated in our literature. All molded sinks have interior corners coved to a 1-5/8" radius and bottoms are pitched to the outlet opening. The bottom and walls are minimum of 1/2" thick.
Sink Support	A leveling bracket used to support sink under cabinet. Supports supplied by the cabinet manufacturer.
Slab	Standard molded counter tops with no finishing or machining. Available in the sizes shown in our literature. Styles available include dished fume hood tops, marine edge, marine edge with coved curb and flat.
Square Cut	Square cut edge, sanded and colored but has no bevel.
Tailpiece	Tailpieces for connecting sink outlets to plumbing are supplied as an integrally molded section of our outlets (please refer to outlet section for more information).
Thickness	Depth of outside edge of top. Options - 3/4", 1", and 1-1/4".
Trough Installation Kit	Supplied with all undermount troughs (also available upon request to assist you in finishing unfinished edges). Kit includes two-part epoxy, fiber cloth, two clips, 220 grit wet/dry sandpaper, finishing pad, finish oil and instructions.
Undermount Sinks	Epoxy resin sink that is mounted below the worksurface and is accessed via a standard through cut in the worksurface. Undermount units require an under sink support system (not supplied by Durcon).







**DURCON<sup>TM</sup>**  
**INCORPORATED**

DURCON INCORPORATE 206 ALLISON DR. TAYLOR, TX 76574 USA