

SINK INSTALLATION METHODS

There are a number of means by which a Durcon laboratory sink can be successfully installed. Leading manufacturers of laboratory furniture will have their own methods of installation. Figures 1, 2, and 3 illustrate the typical methods used.

An acid-resistant putty should be applied to the top surfaces of the sink walls to form a joint between the sink and the underside of the table. Silicone elastomer compounds such as Dow Corning 732 RTV or General Electric SE 1203 are excellent for this purpose.

Care should be exercised to insure that the supports are drawn up evenly to take advantage of the natural drainage provided by the sink.

Figure 4 illustrates the installation method for the Lipped Sink. The Lipped Sink does not require supports. For installation of the Lipped Sink, use the same epoxy used for joining work surfaces together; do not use the putties or elastomers specified above for installation of non-lipped sinks.

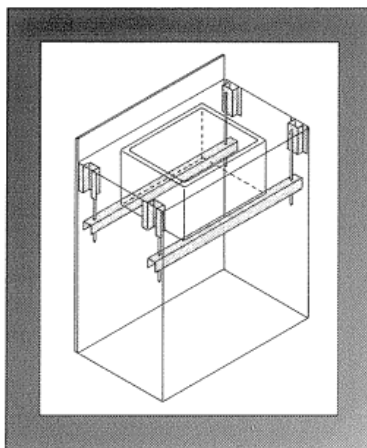


Figure 1

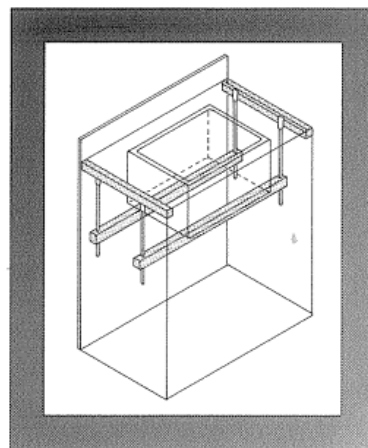


Figure 2

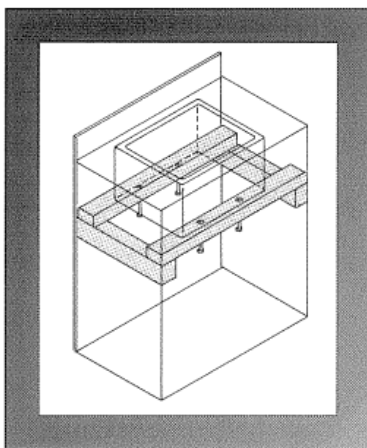


Figure 3

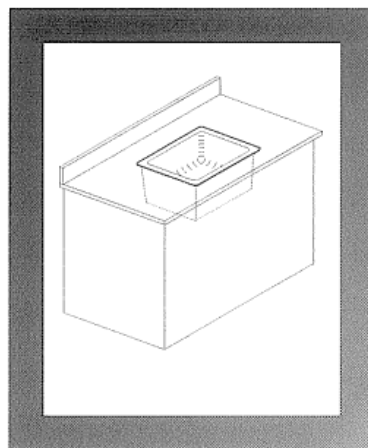


Figure 4

For illustration purposes only. Supports used for sink installations are not provided by The Durcon Company, Inc., but can be obtained from the laboratory furniture manufacturer.